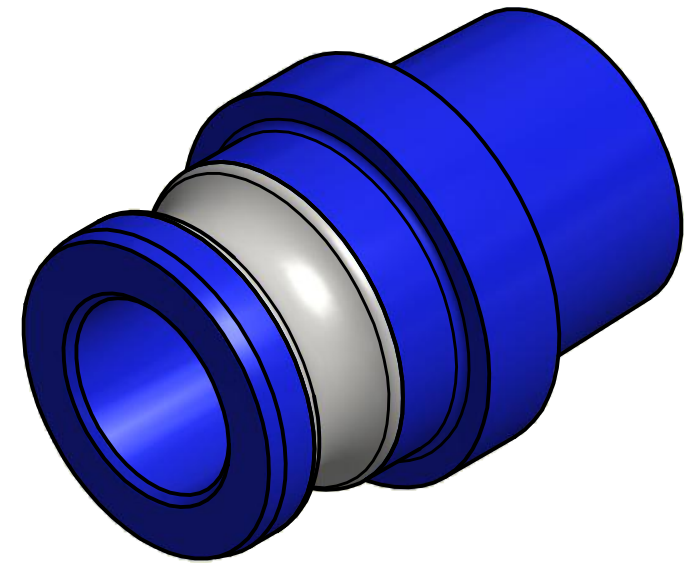
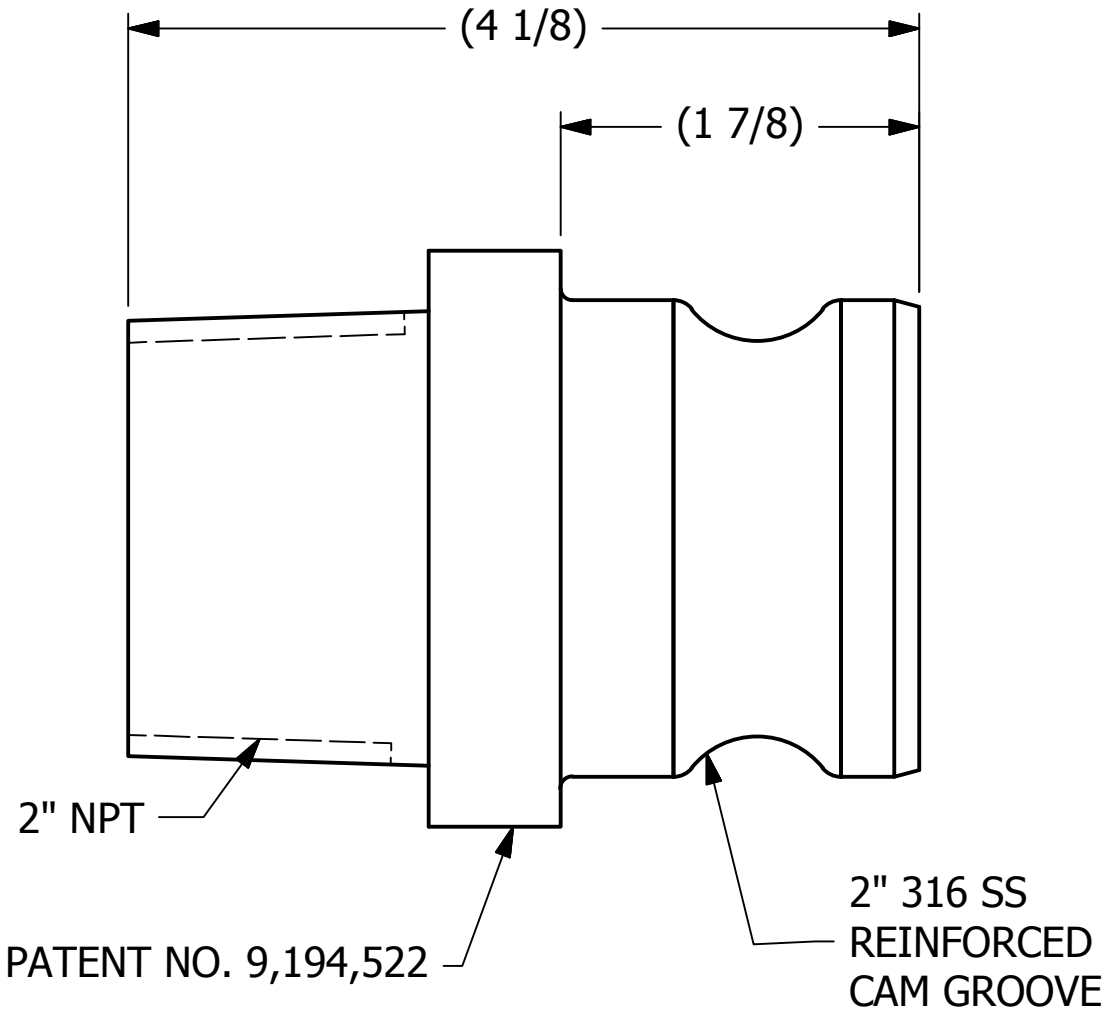
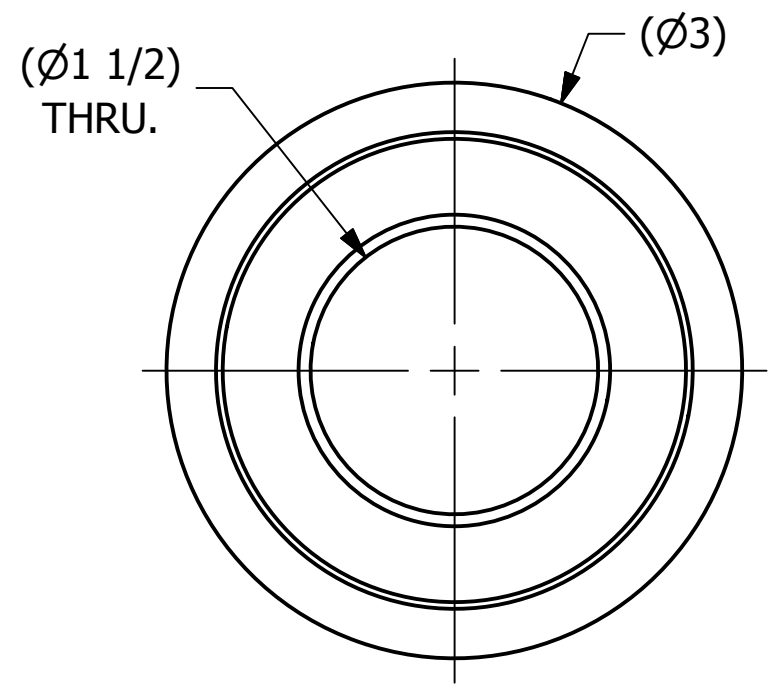


SALES DRAWING

SALES DRAWING



ISOMETRIC VIEW

THIS PRINT, PROPERTY OF SALCO PRODUCTS INC., CONTAINS PROPRIETARY INFORMATION AND MUST NOT BE COPIED, REPRODUCED, OR USED DETRIMENTALLY TO OUR INTEREST.

REV	BY	DATE	DESCRIPTION
D	WEB	3-25-19	Q-2.14 WAS QAP5A-1; Q-2.15.7 WAS QAP4C-1
C	TAK	2-10-16	UPDATED PATENT NUMBER
B	WEB	9-5-14	ADDED BALLOONS, DIM (.409), UPDATED NOTES
A	KHK	7-22-13	RELEASED FOR PRODUCTION

UNLESS OTHERWISE SPECIFIED DIMENSIONAL TOLERANCES		DRAWN BY:	KHK
FRACTIONAL:	±1/16	CHECKED BY:	CHL
X.XX:	±.03	PROTOTYPE BY:	KHK
X.XXX:	±.015	PROTOTYPE DATE:	11/6/2012
ANGULAR:	±1°	APPROVED FOR PRODUCTION BY:	WRB
DEBURR ALL SHARP EDGES. ALL MACHINED SURFACES TO HAVE A 125 RMS FINISH UNLESS NOTED OTHERWISE.		PRODUCTION DATE:	7/22/2013
THIRD ANGLE PROJECTION			

PART NAME: ADAPTER 2"		
MATERIAL: SALCO PE/316 SS		
PROJECT #: 121102FR	SHEET #: 1 OF 1	SCALE: 1:1
DRAWING #: B34565	PART #: HSRK2PF	